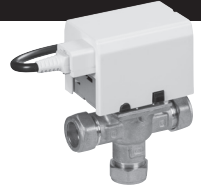


WARNING

Always isolate the AC mains supply before removing or refitting the actuator assembly. This accessory must be fitted by a competent person, and installation must comply with the guidance provided in the current editions of BS7671 (IEE wiring regulations) and part 'P' of the building regulations.



The ESZV223P is an easy-fit, with a simple clip on/off detachable actuator head and 'plug & play' cable. The actuator has been designed to fit directly onto the valve body used by the market leader, and similar type bodies, with the two supplied screws - making it a quick-fit direct replacement for most households.

Installation

1. Remove all protective materials from the valve.
2. Remove all foreign matter.
3. Remove the plug-in lead from actuator (if fitted).
4. Remove the actuator from the valve body by first ensuring the manual override lever is in the raised manual position, and then depress the square black detach button located at the bottom of the actuator.
5. Fit valve to pipework using the minimum quantity of joining materials and **never use the actuator for leverage**. The valve must be installed with **the arrow in the direction of the flow** (from the centre port to either Port A or Port B). Flow from the boiler must be connected to port AB, the radiator circuit to port A and the hot water cylinder circuit to port B. Failure to do so will result in the water hammer and potential premature failure. Ensure the valve head is below the horizontal level of the pipework. The valve **MUST NOT** be fitted on the return pipework under any circumstances.
6. Before fitting the actuator, first ensure the manual override lever is in the manual position. Next line the 4mm at spindle on the valve body to the identically sized slot on the actuator. When the actuator and valve are successfully coupled, the actuator mechanism will click into place.
7. If fitting actuator head onto the valve body used by the market leader (or similar type bodies), first ensure the AC Mains supply has been disconnected, remove the old cover and unscrew, remove and retain the two screws coupling the actuator to the body.
8. Remove the cover from the zone valve by first removing the two retaining screws. Ensure the manual override lever is in the manual position, then line the flat spindle on the valve body to the identically sized slot on the actuator. Once the actuator is firmly on the valve body, use the two supplied screws to clamp the actuator onto the valve. Replace the plastic cover ensuring to reinstate the two cover screws.

N.B. The lever should normally be in 'AUTO' position, but can be moved to 'MAN OPEN' position for system drain down and filling purposes only.

Flushing of System

Once the valve is fitted in place and the manual override lever is still locked into the manual position, the complete system should be flushed out and drained to remove any foreign material in the water. The system can then be filled with water and corrosion inhibitor added, if required.

Wiring Connections

All wiring must comply with I.E.E regulations. Ensure mains supply to all controls is fused at no more than 3A. Mains isolation switch must have a contact separation of at least 3mm.

- White:** Heating **On** from room thermostat
- Grey:** Hot Water **Off** from cylinder thermostat or **Off** from programmer.
- Blue:** Neutral
- Yellow/Green:** Earth
- Orange:** Hot Water **On** from cylinder thermostat (boiler and pump live).

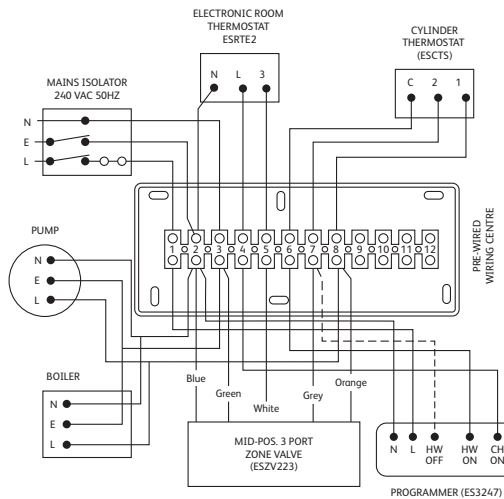
Commissioning

Once the system has been flushed, re-filled and vented, carry out the following to ensure correct operation of the valve: Ensure the manual override is in the auto position.

For Hot Water only: Switch Central Heating OFF and Hot Water ON at the programmer. Set Cylinder Thermostat to the max. Port B should open on the valve, the boiler should fire and the pump should run. Port B should get hot.

For Central Heating only: Switch Hot Water OFF and Central Heating ON at the programmer. Set the Room Thermostat to max. Port A should open on the valve, the boiler should fire and the pump should run. Port A should get hot.

For Hot Water and Central Heating: Switch Hot Water and Central Heating ON at the programmer. Set the Room Thermostat and Cylinder Thermostat to the max. The valve should go to the mid-position with both Port A and Port B open, the boiler should fire and the pump should run. Both Port A and Port B should get hot.



3 Port Zone Valve, 22mm & 28mm	
Supply Voltage	220-240VAC, 50/60Hz
Power Consumption	5W
Cable Length	1m - Plug in Cable
Fluid Temperature Min - Max	+5°C +88°C
Operating Temperature	5°C to +50°C
Flow Direction	As per arrow on valve body
Auxiliary Switch Rating	250VAC 3A
Response Opening	12 seconds
Response Closing	5 seconds
Max. Static Pressure	8 bar
Max. Close-off Pressure	0.69 bar

WARNING!
 Do not cover valve with thermal insulation. Do not interrupt earth continuity of piping. Valves must be earthed and should be disconnected from the mains before changing motor heads.

WARNING: Interference with sealed parts renders the guarantee void.

In the interests of continuous product improvement we reserve the right to alter designs, specifications and materials without prior notice and cannot accept liability for errors.